



All our products are manufactured in the UK



NO ASSEMBLY REQUIRED
Simply Unload & Start Working

ALL OUR WORKBENCHES ARE FULLY WELDED AND READY TO USE NOT FLAT PACK!!

SUPER HEAVY DUTY WORKBENCHES

FULLY WELDED AND READY TO USE



Model 2075WSC...

...with wood and steel top. Shown with accessories: extra cupboard, drawer and 150mm (6") vice.

STANDARD SIZES SUPER HEAVY DUTY WORKBENCHES

WORKBENCH SIZE	GALVANISED STEEL TOP OVER A 45mm SOLID WOOD TOP
Length and Depth (mm)	CODE
1200 x 600	1260WSC
1200 x 750	1275WSC
1200 x 900	1290WSC
1500 x 600	1560WSC
1500 x 750	1575WSC
1500 x 900	1590WSC
1800 x 600	1860WSC
1800 x 750	1875WSC
1800 x 900	1890WSC
2000 x 600	2060WSC
2000 x 750	2075WSC
2000 x 900	2090WSC

Standard height 840mm can be varied to order

- Constructed from steel angle with galvanised steel top over a 45mm solid wood top.
- Choice of four standard lengths in the static workbench range, each of which is available in three depths.
- Cupboards measure 600mm x 600mm by workbench depth.
- **Optional Extra items:**
 - Second cupboard
 - Single drawer
 - Five drawer cupboard unit.

ALL SUPER HEAVY DUTY WORKBENCHES INCLUDE AS STANDARD:

- **BOTTOM SHELF**
- **VICE PLATE** welded under the front right hand corner
- **REAR LIP**
- **SINGLE CUPBOARD**

Top quality Engineers Workbench Vices...

...can be fitted to any workbench if specified when ordering (we drill holes for vice) or supplied separately.



ENGINEERING VICES	
JAW WIDTH	CODE
100mm (4")	4VICE
125mm (5")	5VICE
150mm (6")	6VICE
200mm (8")	8VICE

400Mm painted steel drawers...

...can be fitted as an extra item.



Standard Frame Colour Choices:

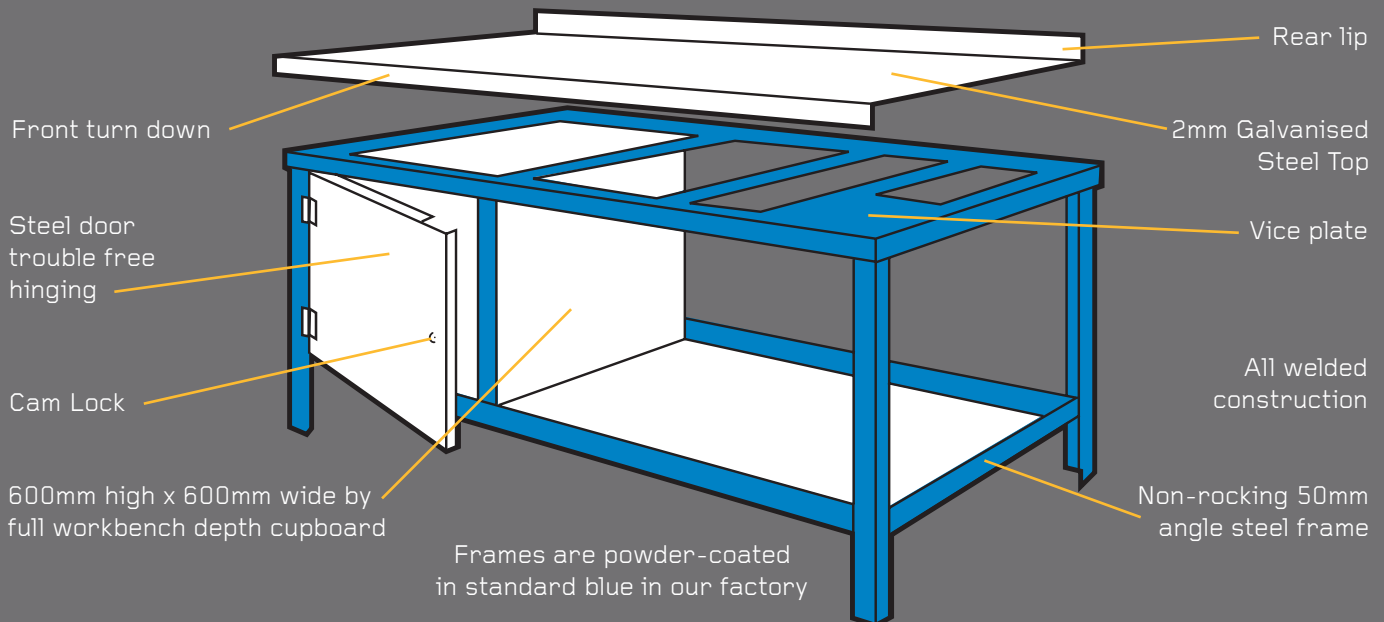
	RAL5010 Sapphire Blue		RAL9006 Silver
	RAL7040 Goose Grey		White
	14C39 Holly Green		Black
	RAL7016 Anthracite	Non-standard colours are available for volume orders. Please ask for details.	

QUALITY WORKBENCHES AND CABINETS

THE STRENGTH IS IN THE FRAME



The workbenches have a substantial steel frame on which all joints are carefully welded. The workbench features a bottom shelf and cupboard plus a built in vice plate and a preformed 2mm steel top with front downturn with a rear lip (which can be omitted on request) to prevent things falling off.



READY FOR IMMEDIATE USE

All our steel workbenches, tool trolleys and cabinets are manufactured in the UK. Our products are supplied to a multitude of customers throughout the UK but particularly to the motor trade, the electronics industry and heavy engineering.

Our workbenches are manufactured in the UK to high quality standards and are ready to use.

Delivery is free (to most parts of the UK) and our workbenches are usually delivered within 10 working days.

The workbenches are all steel framed, fully welded units, available as medium duty workbenches, heavy duty workbenches and super heavy duty workbenches. They are also available as mobile workbenches and tool trolleys to allow fitters or engineers to take the workbench to the job.

We supply a comprehensive range of accessories including vices, shelves, drawers and cupboards and we will be happy to quote for any non-standard units or accessories that you may require.



RICHARDSONS

MAKING WORKSPACE WORK

6 Collingwood Court
Riverside Park
Middlesbrough TS2 1RP

Tel: 01642 242228
Fax: 01642 242259

www.richardsonsuk.co.uk | sales@richardsonsuk.co.uk